

36" Extra-Slim Insert Hood

DA 2690 Stainless



36" Extra-Slim Insert Hood

DA 2690 Stainless



DA 2690 Stainless

Features:

- Extra slim insert fits in less than 12" upper cabinetry
- Vented or recirculating
- 4 LED ClearView lights
- 3 fan settings plus intensive level
- Removable, dishwasher-safe panel and grease filters
- Con@ctivity 2.0 - communication between hood and cooktop
- Fully integrated, controlled manually, via Con@ctivity 2.0 or via remote control
- Clean Cover
- Filter saturation indicator
- Delayed shutdown (5-15 minutes)

SPECIFICATIONS

DA 2690 — Item 28269055USA

Overall Unit Width 34⁵/₈" (880 mm)

Overall Unit Height 13¹/₂" (342 mm)

Overall Unit Depth 11¹/₂" (293 mm)

Built-In

Minimum Opening Width 34¹/₁₆" (865 mm)

Minimum Opening Depth 10⁷/₈" (276 mm)

Minimum Opening Height 12⁵/₈" (320 mm)

Fan

Fan Speeds 4

Maximum CFM 625 CFM, (Reducing Collar is available to reduce Air flow to less than 400 CFM, more information on page 7)

Duct

Duct Diameter 6" (150 mm)

Electrical

Electrical Requirements 120V, 60Hz, 15A

Power Cord Molded NEMA 5-15 plug, 2.5 ft (0.75 m)

Shipping

Shipping Weight 35.5 lbs

Shipping Dimensions 37¹³/₁₆" W x 16" H x 18¹/₈" D

Support

Call Miele 800.843.7231

Miele Website www.mieleusa.com

20/20 Link 2020technologies.com

Optional Accessories:



DUU 150

Recirculation kit



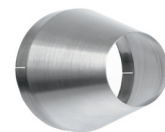
DUU 151

Recirculation kit



DKF19-1

OdorFree Charcoal filter
required accessory for
recirculation mode



Reducing collar

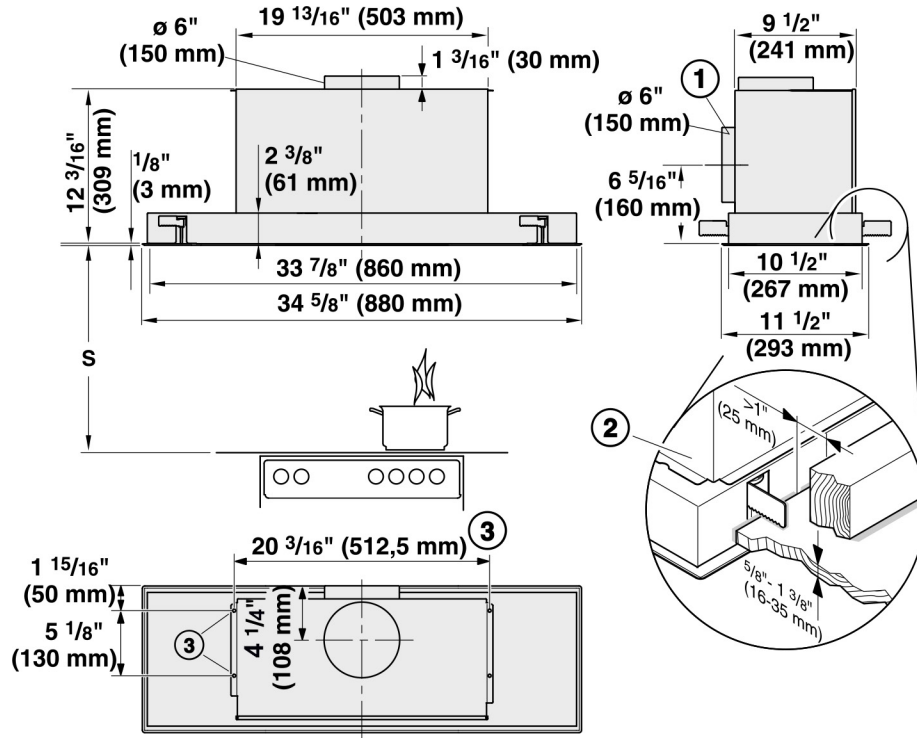
Reducing collar limits air
flow to less than 400 CFM

36" Extra-Slim Insert Hood DA 2690 Stainless

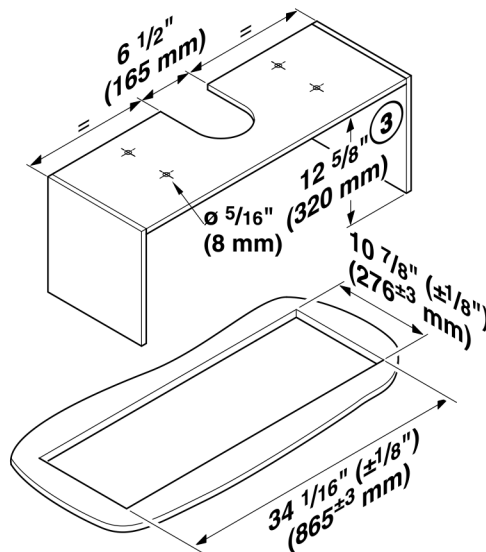


INSTALLATION SPECIFICATIONS

Product Details



Niche/Cutout Details



- ① The ducting can also be connected at the back.
- ② The ventilation hood is secured in the cut-out by clamps. This requires that the installation surface is made of a solid material, such as wood. Make sure that the material is strong enough to bear the weight of the ventilation hood and the edge extraction panel. There must be a minimum distance of 1" / 25 mm between the areas around the clamps and any structures or components, such as struts or cables.
- ③ Alternatively, the ventilation hood can be secured to four fixing points on an interim shelf.

36" Extra-Slim Insert Hood

DA 2690 Stainless



INSTALLATION SPECIFICATIONS

Distance Between Cooktop and Ventilation Hood (S)

Provided a larger distance is not given by the manufacturer of the cooktop, follow the minimum safety distances between a cooktop and the bottom of the hood.

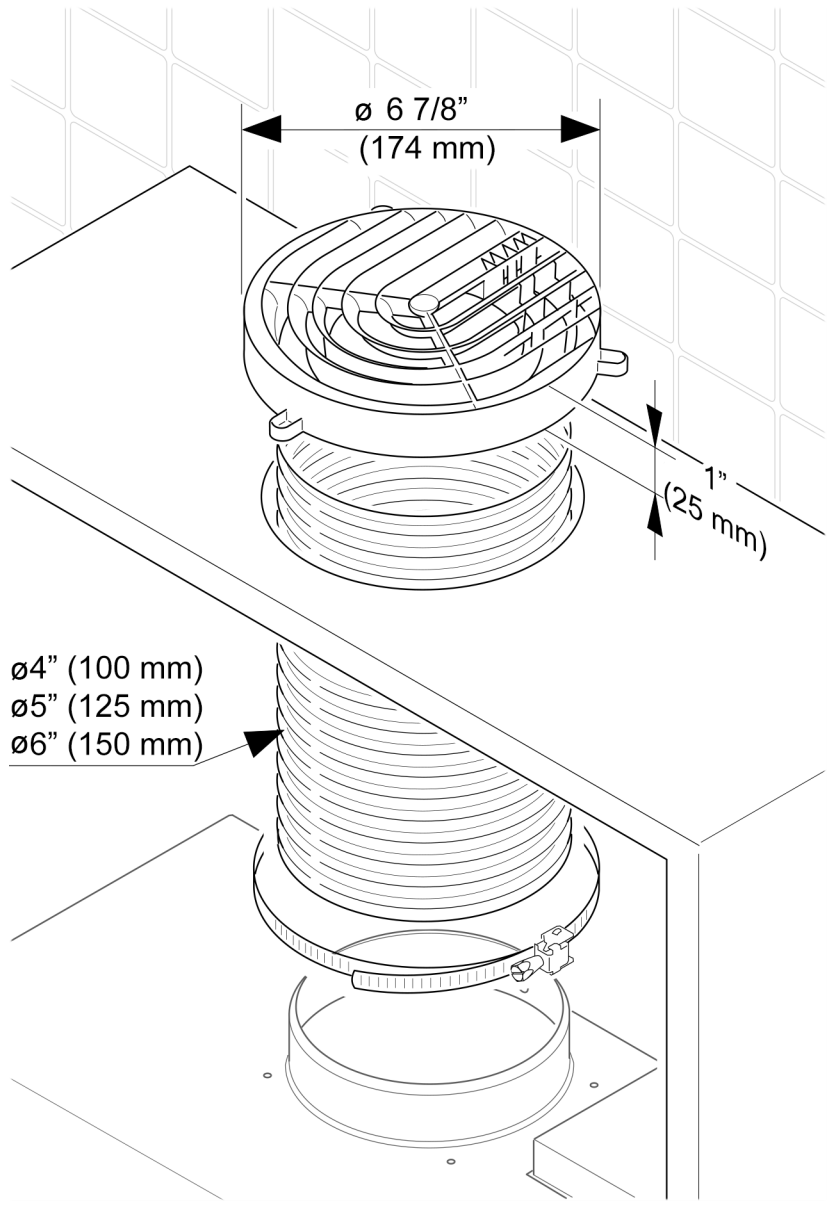
Please also observe the information contained in the "IMPORTANT SAFETY INSTRUCTIONS" section.

Cooking appliance	Minimum distance S	
	Miele appliance	Non-Miele appliance
Electric Cooktops	24" (610 mm)	
Electric Barbeques and Fryers	26" (660 mm)	
Multiburner Gas Cooktops ≤ 43,000 BTU/hr (12.6 kW), no burner > 15,000 BTU/hr (4.5 kW).	26" (660 mm)	30" (760 mm)
Multiburner Gas Cooktops ≤ 73,800 BTU/hr (21.6 kW), no burner > 16,500 BTU/hr (4.8 kW)	30" (760 mm)	
Multiburner Gas Cooktops > 73,800 BTU/hr (21.6 kW), or one of the burners > 16,500 BTU/hr (4.8 kW)	Not possible	
Single Burner Gas Cooktops ≤ 20,500 BTU/hr (6 kW)	26" (660 mm)	30" (760 mm)
Single Burner Gas Cooktops > 20,500 BTU/hr (6 kW) ≤ 27,600 BTU/hr (8.1 kW)	30" (760 mm)	
Single Burner Gas Cooktops > 27,600 BTU/hr (8.1 kW)	Not possible	

36" Extra-Slim Insert Hood DA 2690 Stainless



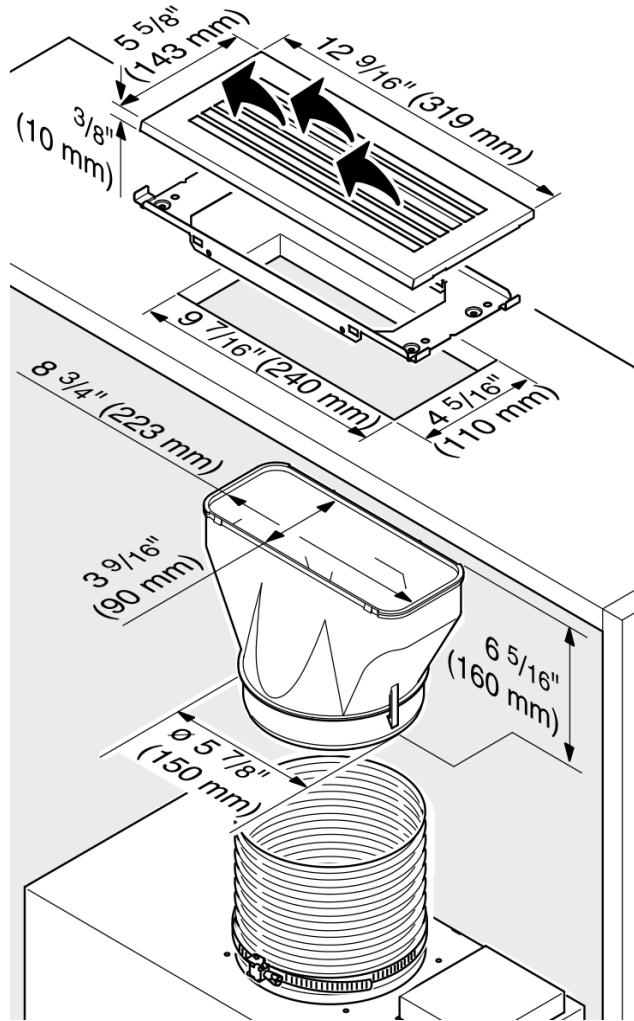
INSTALLATION SPECIFICATIONS Recirculation Kit DUU 150



36" Extra-Slim Insert Hood DA 2690 Stainless



INSTALLATION SPECIFICATIONS Recirculation Kit DUU 151



36" Extra-Slim Insert Hood DA 2690 Stainless



Reducing Collar (optional accessory)



If you would like to reduce the environmental impact of your ventilation system by limiting the CFM output the Reducing Collar can be installed. It reduces the air flow to less than 400 CFM. Check local building codes for maximum CFM requirements.